



Spare Parts Catalogue

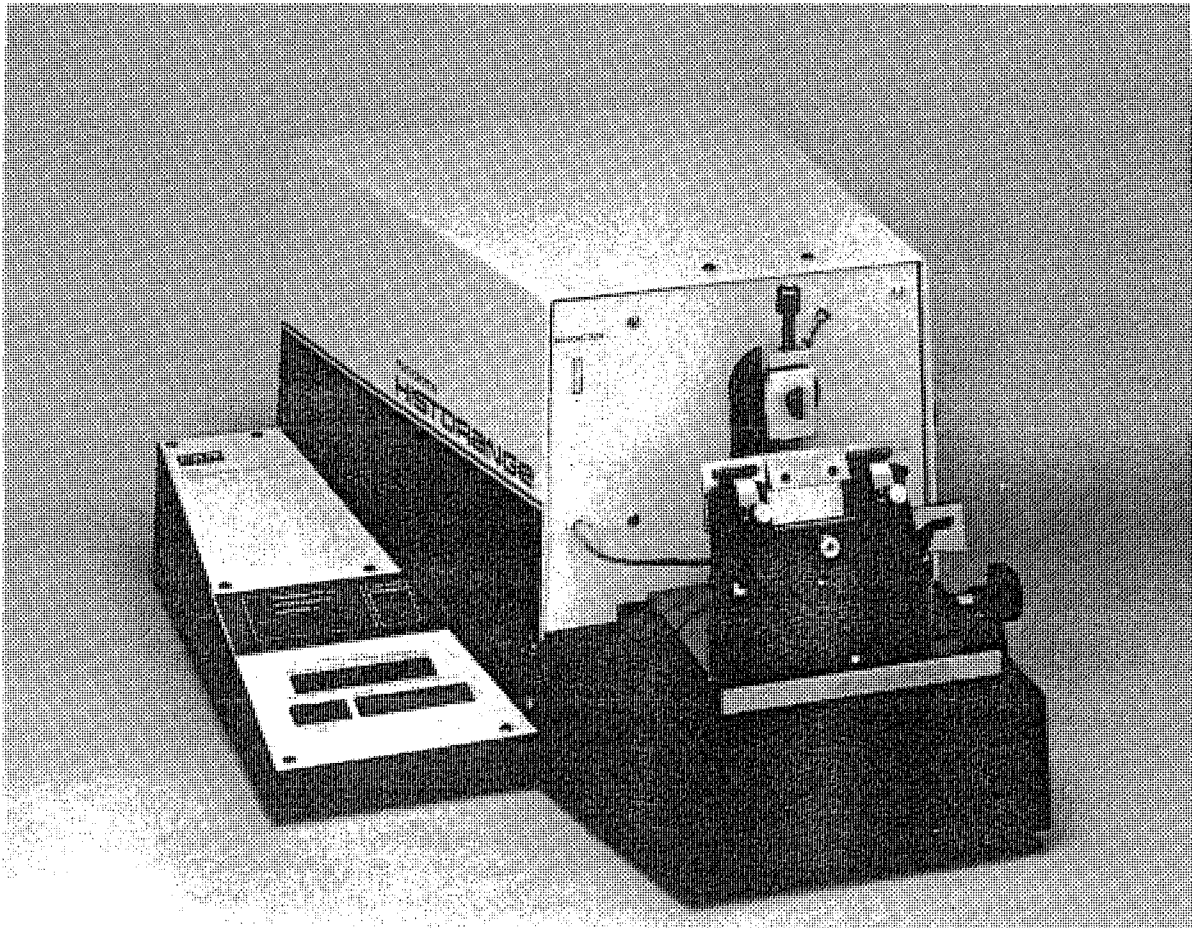
LKB 2218
HistoRange Microtome

90 01 3576

Spare Parts Catalogue

**LKB 2218
HistoRange Microtome**

90 01 3576



GENERAL

This Spare Parts Catalogue describes your new LKB Instrument by means of drawings and photographs. It enables you to find the order number for the items that you may require.

Usually the LKB Service Departments can supply you with most of these spare parts, however certain parts may have to be ordered from LKB Bromma, Sweden and we will try to supply these as quickly as possible.

LKB guarantees the function of your new instrument. The terms of the guarantee are given in the purchase contract. This guarantee is only valid if service is provided by LKB and if LKB parts are used.

Since product development and improvement are a continuous process, LKB reserves the right to make changes in the specifications without notice.

HOW TO USE THE CATALOGUE

1. Using the index, locate the figure where the wanted part is shown.
2. Locate the part and its item no.
3. Turn to the parts list and note the part no. and description which correspond to the item no. Always state the part no. when ordering spare parts.
4. The following information can be found under "Notes"
 - A) Reference to instrument serial number where changes and modifications have been made.
 - B) Identification of electrical components is listed for LKB service engineers with numbers which appear on drawings for internal use.
5. If there is something in this catalogue that you think should be clarified or corrected, we would be very grateful for your help. Please use the last page of the catalogue as notification and forward it to

LKB-Produkter AB
Box 305
S-161 26 BROMMA
Sweden

INDEX

FIG.		Page
1	MICROTOME	4
2	LOWER KNIFE FEED TABLE COMPLETE	6
3	SPECIMEN HOLDER SLIDE COMPLETE	8
4	REAR PANEL COMPLETE	10
5	PC BOARD	12
6	STANDARD KNIFE STAGE	14
7	GLASS KNIFE STAGE	16

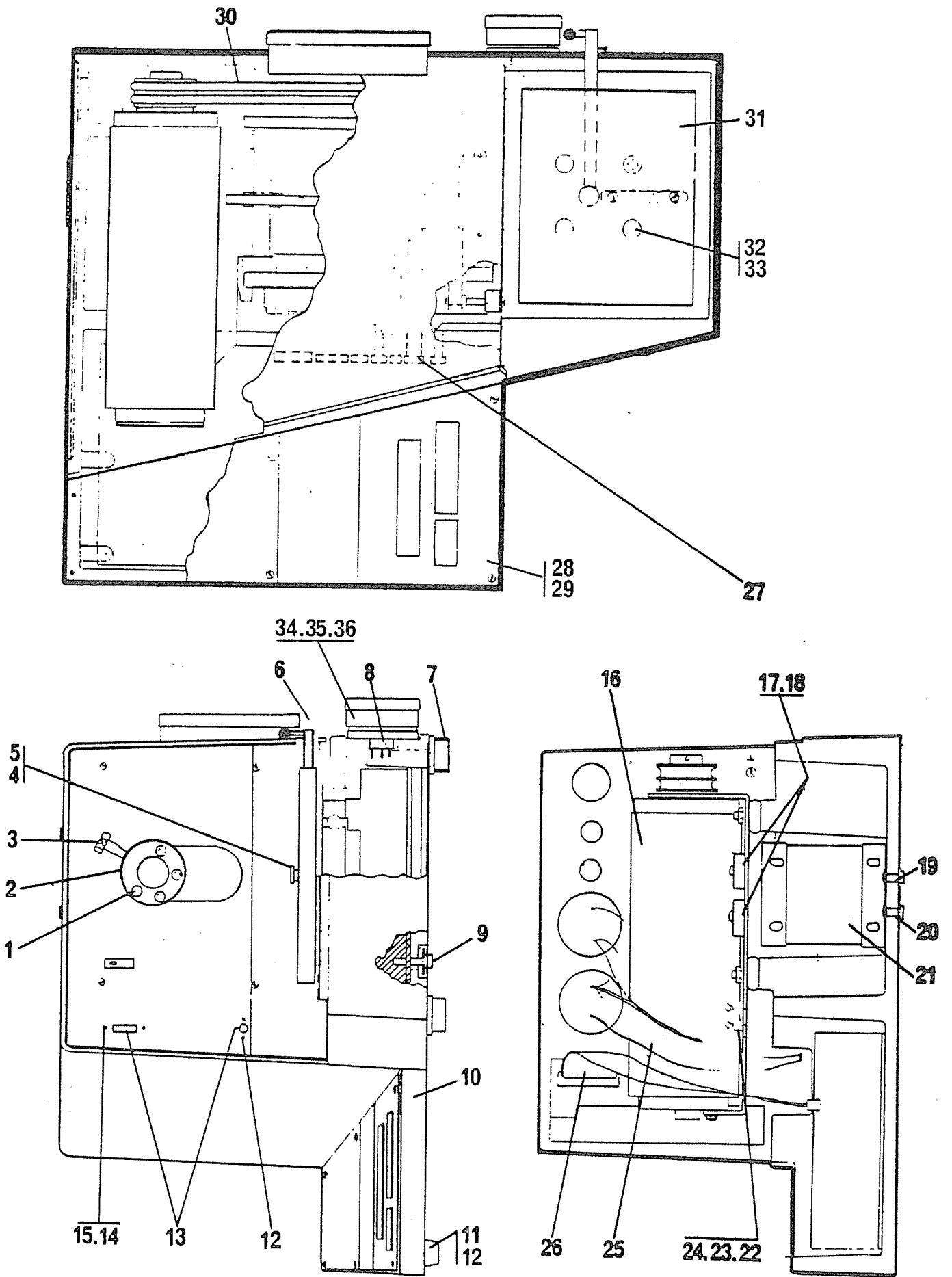


Fig.1

SPARE PARTS CATALOGUE

ITEM	PARTNO	DESCRIPTION	NOTES	FROM S/N
1	95 27 1086	SCREW 4X30		1
2	90 01 3170	SPECIMEN HOLDER		1
3	90 01 3171	LOCKING SCREW		1
4	90 01 2851	LOCKING DEVICE		1
4	90 01 4304	LOCKING DEVICE		58
5	94 92 2347	SPRING	DISC.	58
6	90 01 2862	LOCKING SCREW COMPL.		1
6	90 01 4309	LOCKING ARM COMPL.		58
7	90 01 3600	FOOT COMPL.		1
8	90 01 2992	SPEED POT. CHPL.		1
9	90 01 3918	ASSEMBLY FOR BOTTON PLATE		1
10	90 01 2231	CASE		1
11	90 01 3599	SLIDE FOOT		1
12	95 27 0075	SCREW MCS 5X10 (PKT/10)		1
13	90 01 2668	PC BOARD BACKLIGHT		1
14	95 27 0004	SCREW MCS 2X8 (PKT/10)		1
15	90 01 3090	SPACER		1
16	90 01 3919	MOTOR COMPL.		1
17	95 78 1002	BRIDGE RECT. 26 MB 20	V1,V2	1
18	95 27 0061	SCREW MCS 4X12 (PKT/10)		1
19	95 27 1083	SCREW 6X25		1
20	95 27 0409	NUT (PKT/10)		1
21	90 01 2767	TRANSFORMER		1
22	95 83 0041	FUSE 6,3A/EU (PKT/10)		1
23	95 27 1084	SCREW M3X8 (PKT/10)		1
24	95 88 0011	FUSE HOLDER, FOR 220V		1
25	90 01 2895	FLAT CABLE		1
26	90 01 2894	FLAT CABLE		1
27	90 01 2897	FLAT CABLE		1
28	90 01 3016	DISPLAY WINDOW		1
29	95 27 0641	SCREW (PKT/10)		1
30	95 35 1009	O-BELT		1
31	90 01 6940	KNIFE FEED TABLE COMPL.		58
32	95 27 0541	SCREW MC6S 6X18R (PKT/10)		1
33	95 37 0136	CAP		1
34	90 01 2882	KNOB		1
35	95 27 0726	NUT (PKT/5)		1
36	95 37 0095	COLLET		1

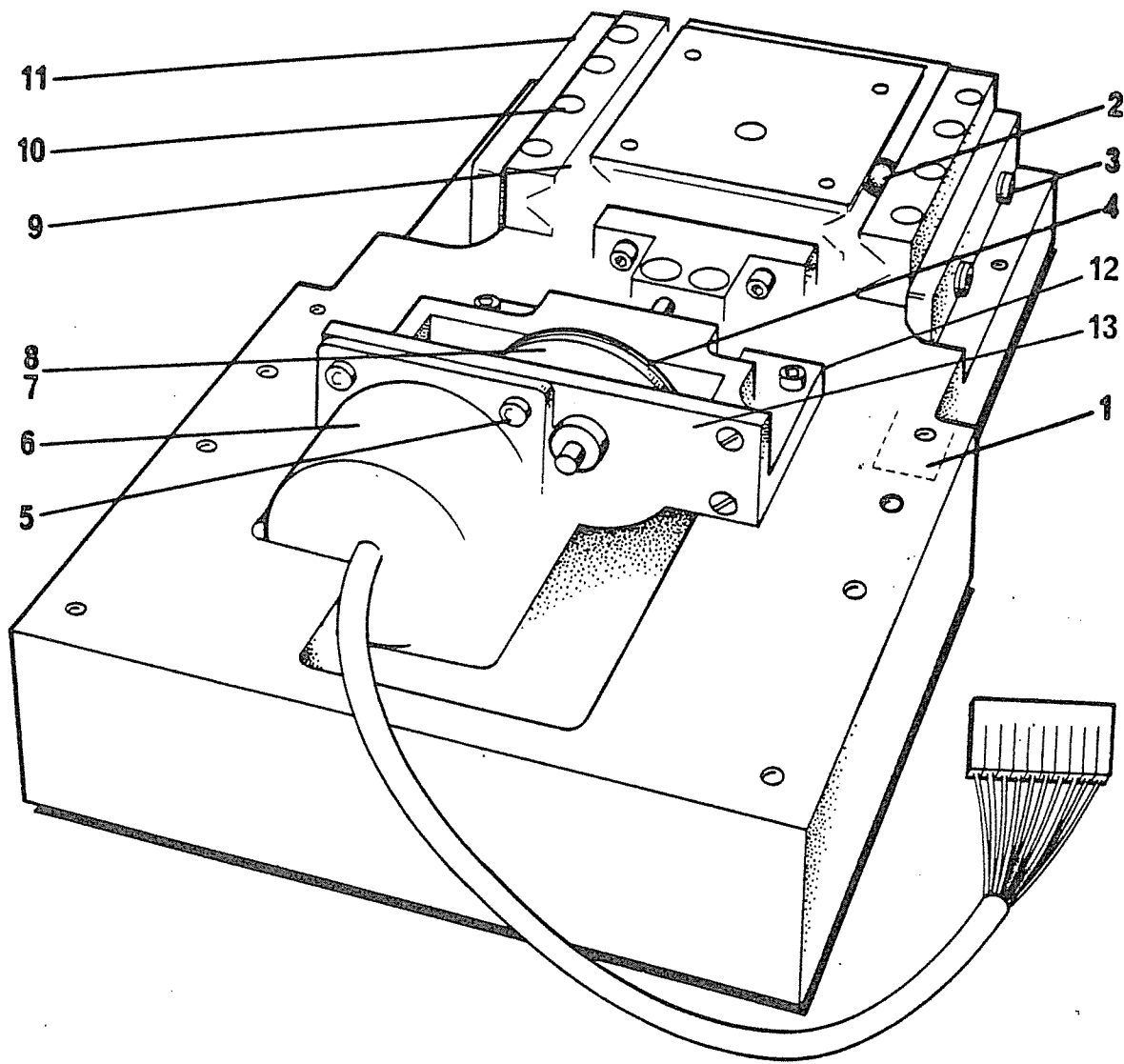


Fig.2

SPARE PARTS CATALOGUE

ITEM	PARTNO	DESCRIPTION	NOTES	FROM S/N
	90 01 3010	LOWER KNIFE FEED TABLE COMPL.		1
1	90 01 2671	PC BOARD KNIFESTAGE		1
2	95 25 0531	BALL BEARING		1
3	95 27 0250	SCREW MC6S 5X16 (PKT/10)		1
4	95 35 1010	COG BELT		1
5	95 27 0233	SCREW MC6S 4X8 (PKT/10)		1
6	95 69 1003	STEPPER MOTOR		1
7	90 01 2209	COG WHEEL		1
8	95 27 0285	SCREW SK6SS 3X4 (PKT/10)		1
9	90 01 3759	CAM		1
10	95 27 0240	SCREW MC6S 4X18 (PKT/10)		1
11	95 27 0897	SCREW P6SS 5X12(PKT/10)		1
12	95 27 0250	SCREW MC6S 5X16 (PKT/10)		1
13	90 01 7337	STEPPER MOTOR COMPL.		1

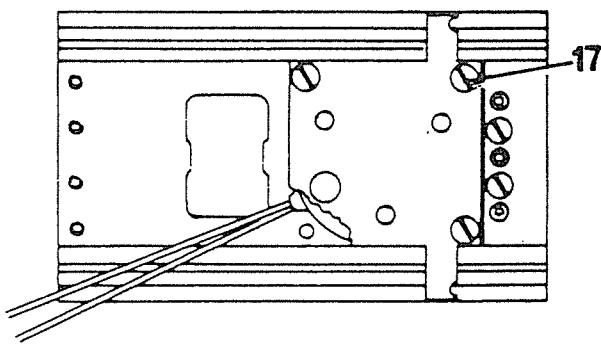
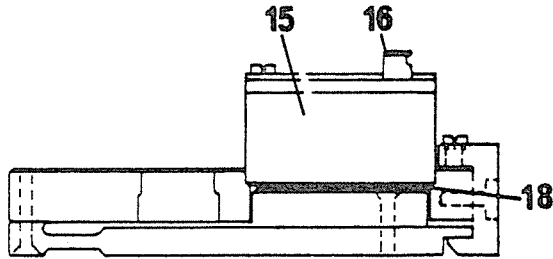
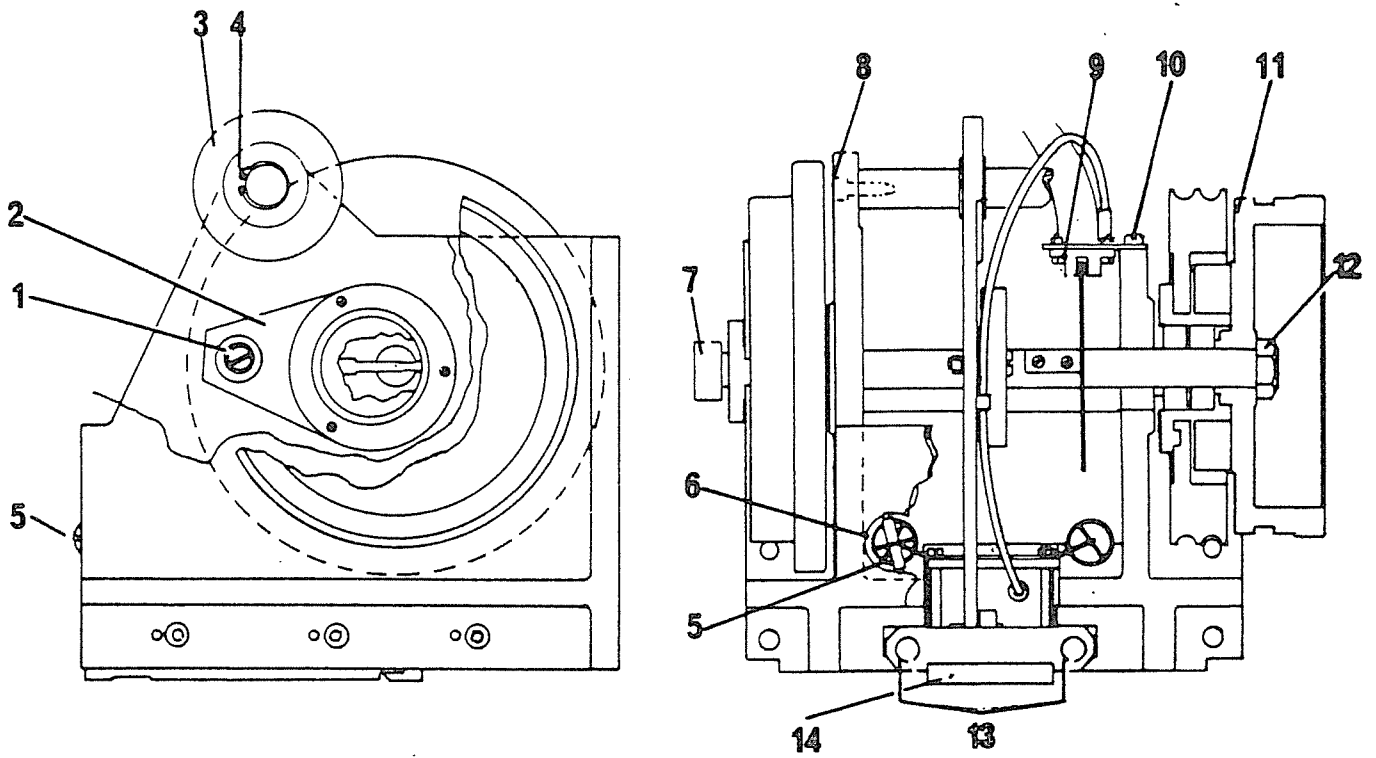


Fig.3

SPARE PARTS CATALOGUE

ITEM	PARTNO	DESCRIPTION	NOTES	FROM S/N
	90 01 3040	SPECIMEN HOLDER SLIDE COMPL.		1
1	90 01 2749	EXCENTRIC		1
2	90 01 3044	LINK COMPL.		1
3	90 01 3043	ARM COMPL.		1
4	95 25 0126	RETAINER S6A15 (PKT/10)		1
5	90 01 2731	SPRING HOLDER		1
6	90 01 2856	SPRING		1
7	90 01 2991	PQT. CUTTING RANGE		1
8	95 27 0256	SCREW (PKT/10)		1
9	90 01 2675	CABLE COMPL.		1
10	95 27 0058	SCREW MCS 4X8 (PKT/10)		1
11	90 01 2843	CRANK WHEEL COMPL.		1
12	90 01 2740	NUT		1
13	90 01 3045	OIL CUSHIONS (PKT/2)		1
14	90 01 2837	LEAF SPRING		1
15	90 01 3994	MAGNET		1
16	90 01 2836	MAGNET SUPPORT		1
17	95 27 0489	SCREW 4X35 (PKT/10)		1

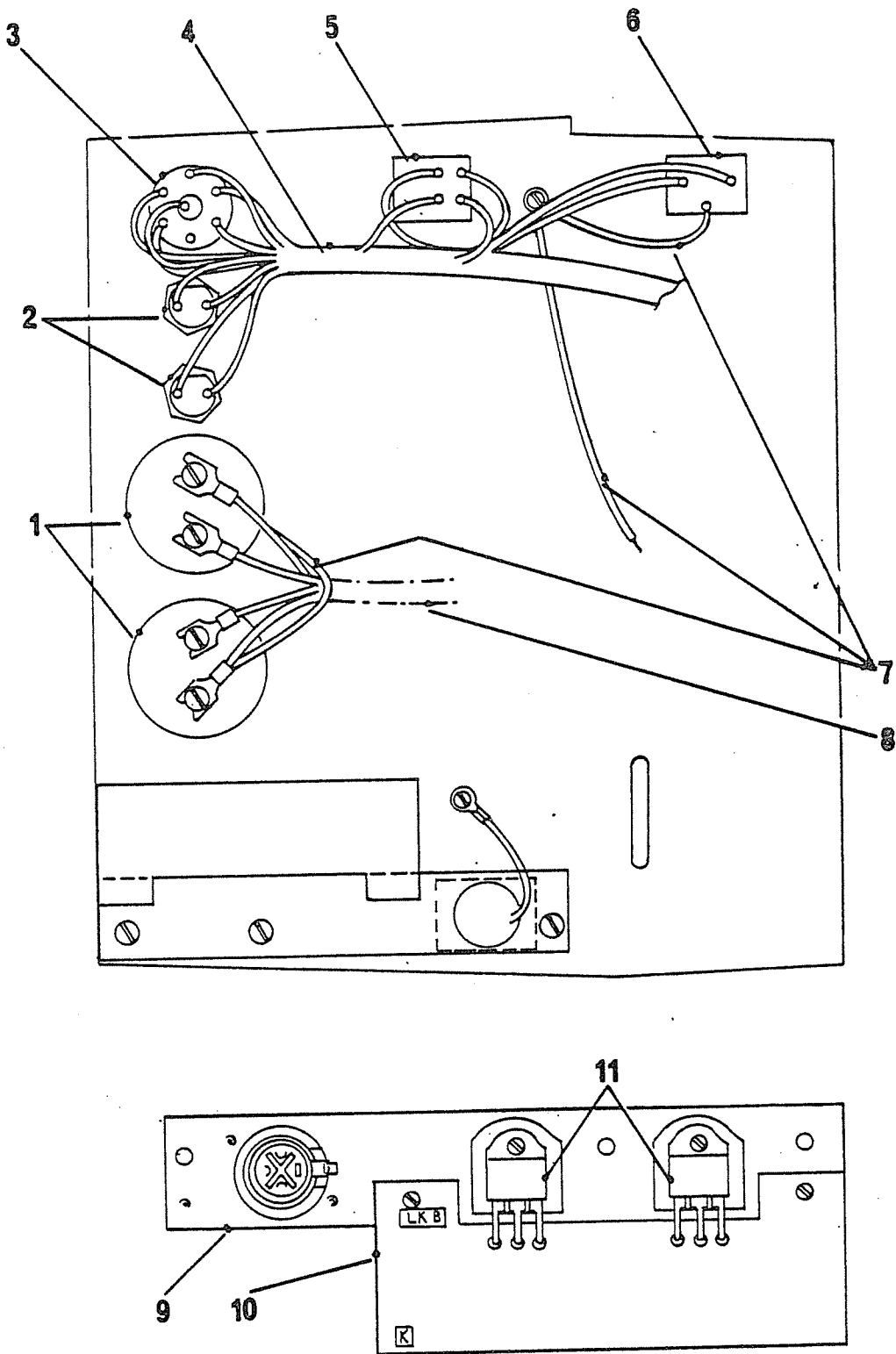
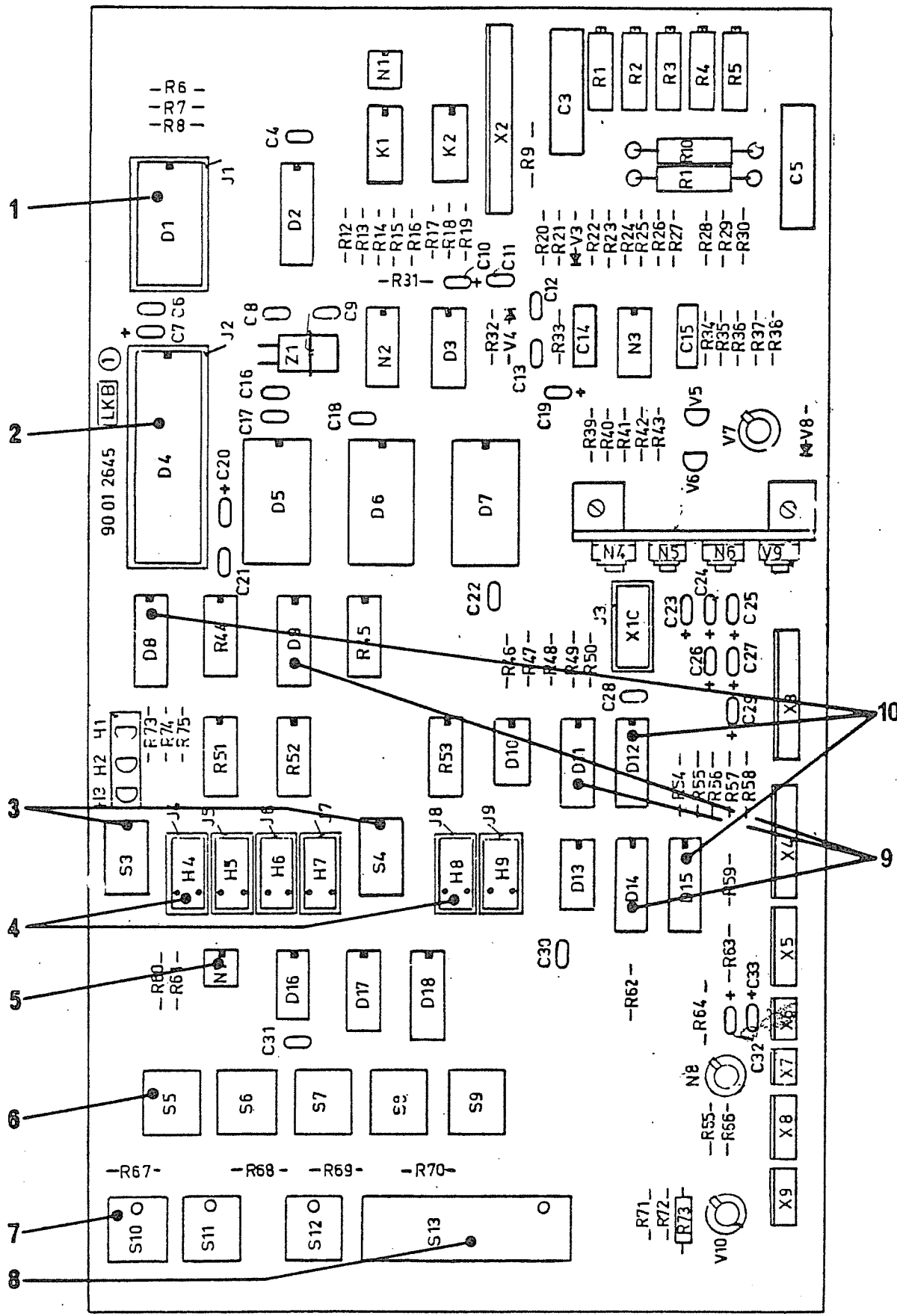


Fig.4

SPARE PARTS CATALOGUE

ITEM	PARTNO	DESCRIPTION	NOTES	FROM S/N
	90 01 3162	REAR PANEL COMPL.		1
1	95 63 1023	CAPACITOR 33 000 U	C1,C2	1
2	95 88 1001	FUSE SOCKET	F1,F2	1
3	95 84 1004	MAINS VOLTAGE SELECTOR	S2	1
4	90 01 2879	CABLE		1
5	95 84 0175	MAIN SWITCH	S1	1
6	95 67 0015	MAINS CONNECTOR	X1	1
7	90 01 2902	CABLE SET		1
8	90 01 2925	CABLE		1
9	90 01 2988	MOTOR DRIVER		1
10	90 01 2408	MOTOR DRIVE BOARD		1
11	90 01 3916	TRANSISTOR SPARE KIT	V20V21	1



Benamning (Name)		Dokument nr (Document No.)	
PRINTED BOARD ASSEMBLY MICROTOME		90 01 2645 - 503	
2218			
LKB-PRODUKTER AB		S 161 25	BROMMA SWEDEN

Fig.5

SPARE PARTS CATALOGUE

ITEM	PARTNO	DESCRIPTION	NOTES	FROM S/N
	90 01 2645	CONTROL BOARD		1
1	90 01 2945	PROGRAMME 2218	D01	1
2	95 81 1048	MICROPROC. 8035	D04	1
3	95 84 1017	SWITCH	S3, S4	1
4	95 76 0041	DISPLAY 7-SEGM	H4-H9	1
5	95 81 0187	INT.CIRCUIT LM311N-NS	N07	1
6	95 84 1011	SWITCH BLACK	S5-S9	1
7	95 84 1013	SWITCH, BLACK ONE LED.	S10-12	1
8	95 84 1016	SWITCH	S13	1
9	95 81 1007	IC HIGH-V;HIGH-C SOURCE DRIVER		1
10	95 81 1010	INT CIRCUIT ULN 2803A		1

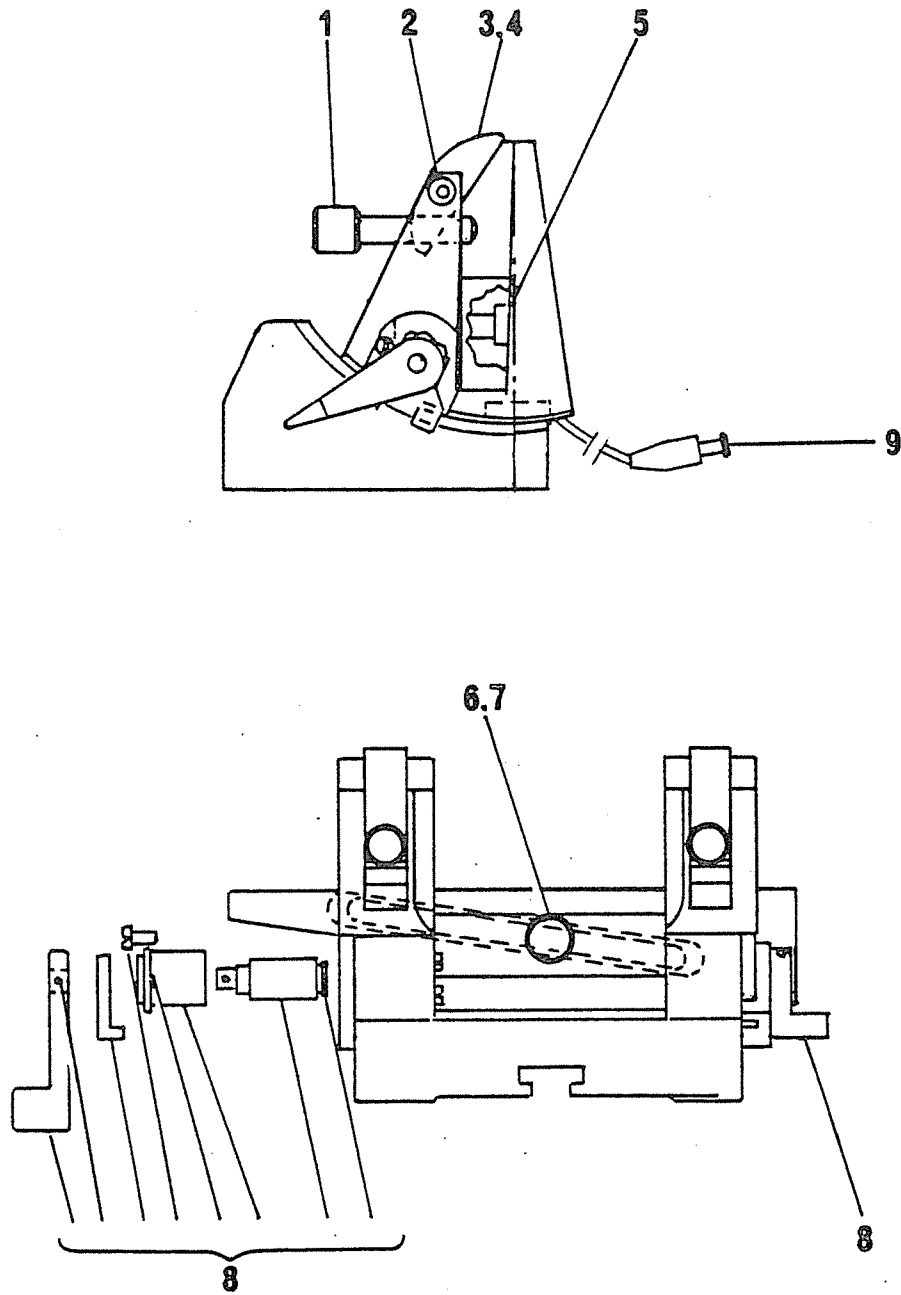


Fig.6

SPARE PARTS CATALOGUE

ITEM	PARTNO	DESCRIPTION	NOTES	FROM S/N
	2218-200	STANDARD KNIFE STAGE.		1
1	90 01 2922	CLAMP SCREW		1
2	95 27 0470	SCREW MCS 4X25R(PKT/10)		1
3	90 01 2921	CLAMP		1
4	90 01 2920	PIPE		1
5	90 01 2914	SCREW		1
6	90 01 2923	NUT		1
7	95 25 0048	WASHER BRB 5,3X10R PKT/10		1
8	90 01 3917	LOCKING ARM COMPL.		1
9	2218-210	APPROACH-LIGHT UNIT		1

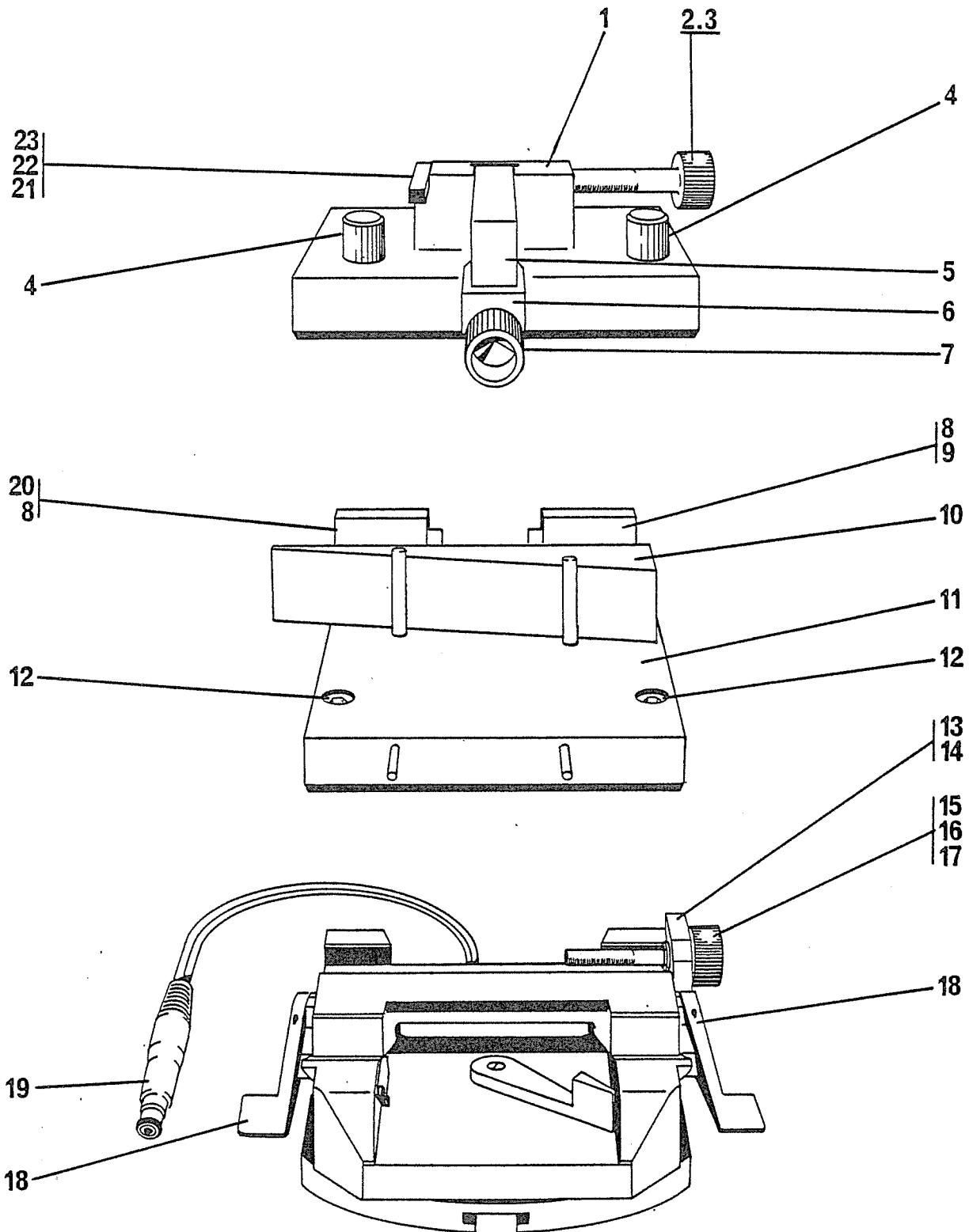


Fig.7

SPARE PARTS CATALOGUE

ITEM	PARTNO	DESCRIPTION	NOTES	FROM S/N
	2218-201	GLASS KNIFE STAGE		1
1	90 01 6917	TRIANGULARKNIFE TOP COMPL.		1
2	90 01 4192	LOCKING SCREW		1
3	90 00 1947	INSERT		1
4	90 01 4125	SCREW		1
5	90 01 4121	WEDGE		1
6	90 01 4119	BRACKET		1
7	90 01 4123	ADJUSTMENT SCREW		1
8	95 27 0471	SCREW MC&S 4X8 (PKT/5)		1
9	90 01 4112	PLATE, RIGHT		1
10	90 01 4108	WEDGE		1
11	90 01 6594	HISTOKNIFE TOP COMPL. FOR 2218		1
12	95 27 1117	SCREW MC&S 5X12 (PKT/2)		1
13	90 01 4115	BRACKET		1
14	95 27 0603	SCREW 4X8 (PKT/10)		1
15	95 25 0151	CIRCLIP 4 (PKT/10)		1
16	90 01 4113	WASHER		1
17	90 01 4114	ADJUSTMENT SCREW		1
18	90 01 3917	LOCKING ARM COMPL.		1
19	2218-210	APPROACH-LIGHT UNIT		1
20	90 01 4111	PLATE, LEFT		1
21	94 90 7600	KNIFE LEVEL GUIDE POST		1
22	94 90 7607	DOWEL		1
23	94 90 7606	SPRING		1